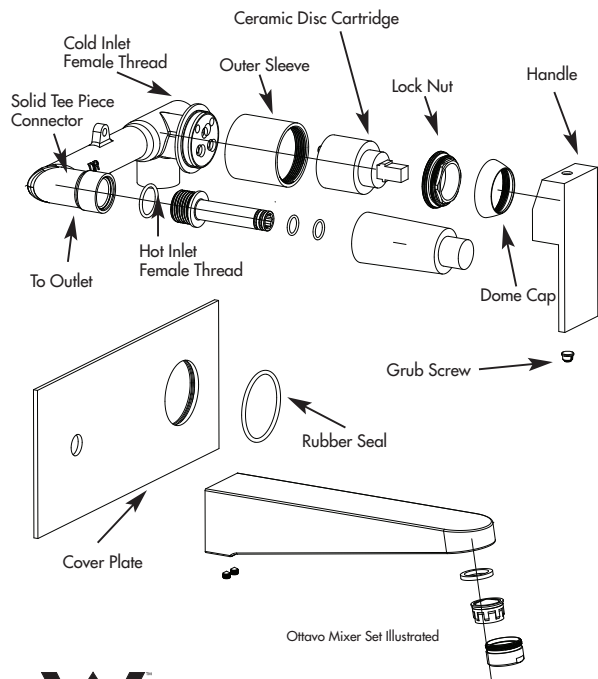


INSTALLATION INSTRUCTIONS FOR ALL WALL MIXER SETS (DODI LBWSMP, OTTAVO QUGWMS, ROTONDO LSBMC19PLATE, LINEAR LWMSBP)



Congratulations for choosing Brewers. Our products are manufactured to the highest Australian Standards (AS/NZS3718) under strict quality control. Australian Standards require that our licence be stamped on the outer rear mixer body, the ceramic disc cartridge and the flexible hoses. This is your security.

- 1) Flush the pipelines prior to connecting the mixer set and drain into a bucket.
- 2) Connect the inner brench with the mixer body on the right hand side to the water supply and secure to the wall cladding. Leave the plastic cover on the fixed outer sleeve.
- 3) When the wall cladding is completed insert the cover plate over the mixer body and outlet mount
- 4) Push outlet onto the outlet mount tube - the O ring on the outlet tube will secure the outlet. Tighten the grub screw on the bottom of the outlet to the outlet mount.
- 5) Push handle onto the mixer body and tighten by screwing pin handle or using grub screw.



WARRANTY

All parts proven faulty by unsatisfactory workmanship will be replaced upon presentation of the original sales receipt to the original purchaser providing:

- The product was used in normal domestic circumstances and not commercial usage.
- The product was used in its correct application.
- The product was installed according to the appropriate Australian Standard with a maximum water pressure of 500kpa and Brewer installation instructions with licenced plumbers as the installer.
- The product was not cleaned with abrasive cleaning agents.
- On high pressure systems where the pressure exceeds 500kpa (70psi) pressure limiting valves must be installed. If the water pressure is tested to be around 500kpa on existing installations a pressure limiting valve should be fitted as night time pressure may double. This affects all New Installations: New Australian Standards regulations (AS/NZS3500:2003 Clause 3.3, 3.34) now requires that the maximum water pressure from any water outlet is to be no more than 500kpa. On high pressure systems where the pressure exceeds 500kpa (70psi) pressure limiting valves must be installed. Provisions must be made to ensure this value is not exceeded as pressure may increase dramatically during the night time cycle. Warranty will become void where the water pressure exceeds 500kpa and owner may liable for any associated costs.
- The product has not incurred water damage due to below standard water properties.
- The product is finished in chrome. All other finishes are warranted for 1 year.
- The product part replacement warranty is limited to replacement of parts at invoice value that prove defective in material content and/or workmanship under normal domestic installations. Cost for damages and/or labour charges incurred in installation, repair or replacement are excluded from this warranty. All claims for labour, material product or parts associated with alleged faulty product or work must be approved in writing in advance by Brewers. Where a product has been installed and a manufacturing fault is claimed, Brewers may arrange for a Service Call to correct any fault on advice of the nature of the fault. If however on inspection, the fault was found to be caused by incorrect installation or other non-product cause, no responsibility for rectification will be undertaken by Brewers and a service call fee of \$140.00 will be payable to the service agent by the end user.

TECHNICAL DATA FOR MIXERS

Our basin, laundry, sink mixers and tapware are fitted with a W.E.L.S. compliant max flow regulator. This low flow rate may not be suitable for use with gravity feed water heaters, low pressure supply networks or some instantaneous hot water heaters.

OPERATING RECOMMENDATIONS

- Maximum hot water temperature of 80°C •Minimum working pressure 50kpa (7.5psi) •Maximum working pressure 500kpa (70psi)
- For best performance and longer life we recommend 100-500kpa.

CLEANING RECOMMENDATIONS

CHROME PLATED SURFACES: Should only be cleaned with liquid detergent or soap and water. Under no circumstances should any abrasive or acid base cleaning agents be used.

SERVICING

Should it be necessary to have your mixer serviced while under warranty period (Italia Azzurro, Dodi, Ottavo, Rotondo, Linear, El, Micro & Macro 10 years.

Project ranges 7 years. Ceramic disc cartridges 10 years) please carry out the following procedure:

1. Call the plumber, preferably the plumber that installed it as most problems are caused by incorrect installation eg. max water pressure must be no more than 500kpa and water supply lines have not been cleaned out properly before installation. Where water pressure exceeds 500kpa plumbers must install a pressure limiting valve and water supply lines must be drained clean of all debris.
2. Make sure that your plumber has installed your mixer according to the instruction.
3. If the plumber is satisfied that he could not rectify the problem then contact Brewers National Support Centre service@brewers.com.au to arrange replacement parts.